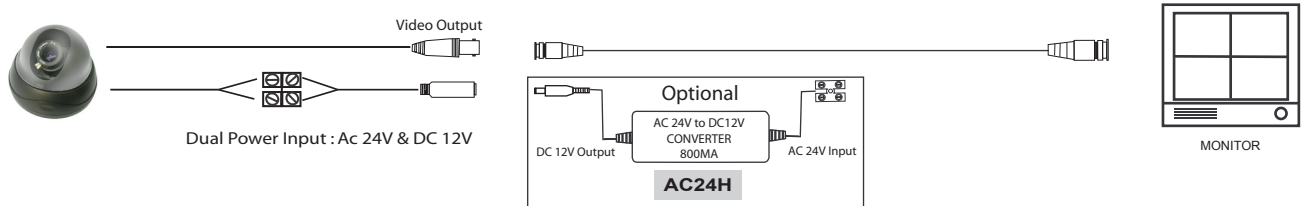
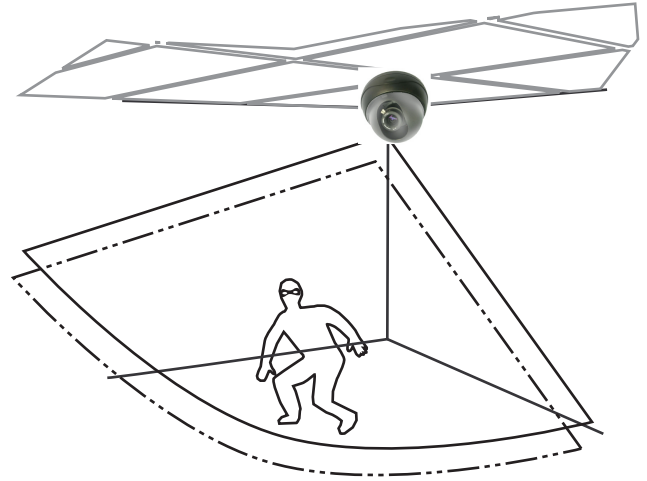


Color CCD Dome Camera

1/3" **COLOR** CCD Camera with 3.5~8mm Auto Iris Lens

CD35VAD-H



■ Specification

ITEMS	CD35VAD-H
TYPE	Color Dome Camera
PICK-UP DEVICE	1/3" Color CCD Image Sensor
PICTURE ELEMENTS H X V	NTSC: 512 X 492 - PAL: 512 X 582
HORIZONTAL RESOLUTION	560 Lines
VERTICAL FREQUENCY	NTSC: 59.94Hz - PAL: 50Hz
SCANNING SYSTEM	2:1 INTERLACE
MINI ILLUMINATION	0.1 LUX DAY & NIGHT
SYNCHRONIZATION	INTERNAL
S/N RATIO	>48dB
ELECTRONIC SHUTTER	UP TO 1/100.000sec.
WHITE BALANCE	AUTO WHITE BALANCE
LENS	3.5~8mm F1.6 AUTO IRIS
GAMMA	0.45
VIDEO OUTPUT	1Vp-p, 75 Ohms
AUTO GAIN CONTROL	AUTO
POWER SUPPLY	Dual Power : AC 24V & DC 12V(+/-10%)
POWER CONSUMPTION	150mA (+/-10%)
COLOR	Black
WEIGHT	1.5lb - 680g
STORAGE TEMPERATURE	(-) 30°C to (+)60°C
OPERATING TEMPERATURE	(-) 10°C to (+)50°C

* Specifications are subject to change without notice

** Designed in U.S.A.